

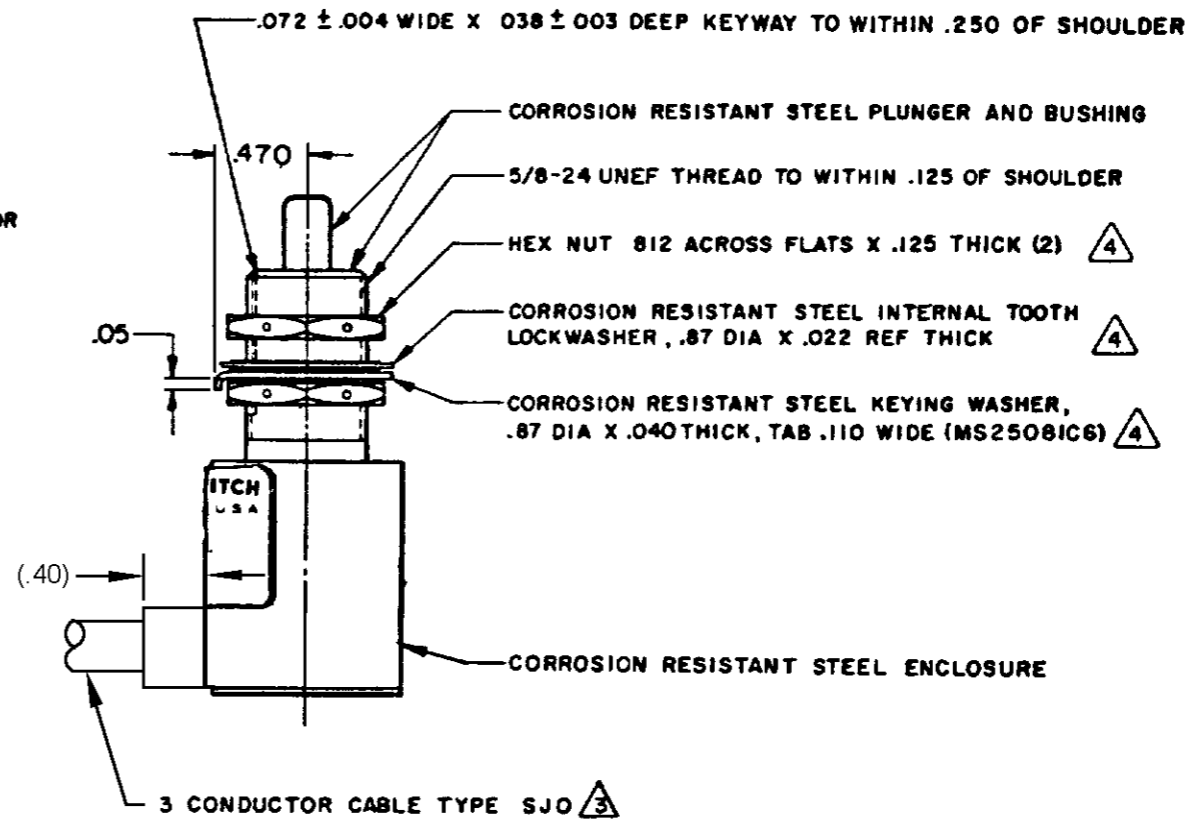
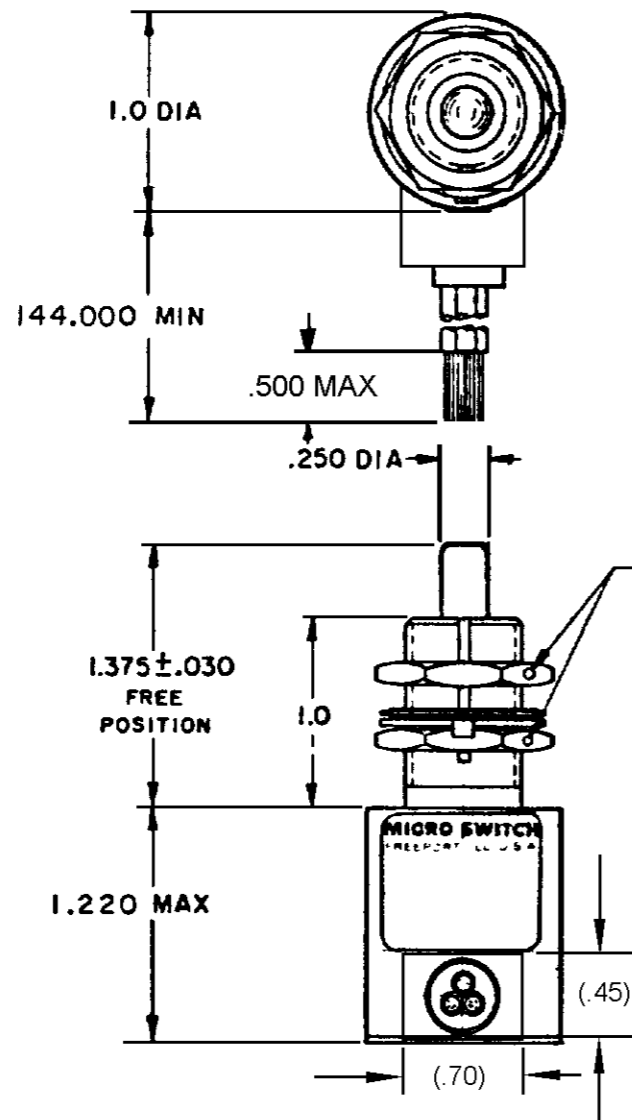
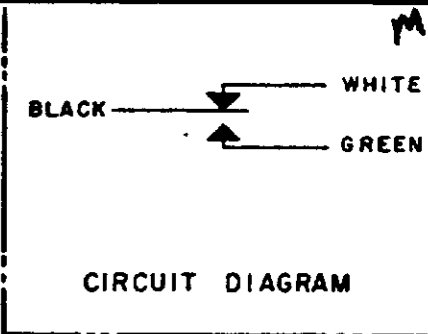
MICRO SWITCH

FREEDPORT ILLINOIS U.S.A.
A DIVISION OF HONEYWELL

FED. MFG. CODE 91929

SWITCH-ENCLOSED

CATALOG LISTING
1CH28-12



M 1CH28-12
 DRAWING NUMBER
 ISSUE 6
 RJ 27OCT05
 CHECK 05APR05
 AK 14 MAR 89
 TSK
 WJM 13 MAR 89
 DRAWN
 RASTER
 FO-52851-B

REVISIONS

A	PR17175	WJM	13 MAR 89
B	C074101	LJF	2 FEB 93
C	0012074	KSR	05 APR 05
D	0016449	KSR	27 OCT 05

THIS DRAWING COVERS A PROPRIETARY ITEM AND IS THE PROPERTY OF MICRO SWITCH A DIVISION OF MINNEAPOLIS-HONEYWELL REGULATOR CO. THIS DRAWING IS NOT TO BE COPIED OR USED WITHOUT THE APPROVAL OF MICRO SWITCH.

CHARACTERISTICS		ELECTRICAL DATA		SCALE FULL
OPERATING FORCE	6-12 LB	CONTACT ARRANGEMENT		DO NOT SCALE PRINT
FULL OVERTRAVEL FORCE	30 LB MAX	S P D T		UNLESS OTHERWISE SPECIFIED
RELEASE FORCE	4 LB MIN			DIMENSIONS ARE IN INCHES
PRETRAVEL	.040 MAX			TOLERANCES ARE
DIFFERENTIAL TRAVEL	.020 MAX			ONE PLACE (.0)
OVERTRAVEL	.250 MIN			TWO PLACE (.00)
				THREE PLACE (.000)
				ANGLES 2
				WEIGHT 18 OZ MAX

NOTES

- SWITCH SEALED PER MIL-PRF-8805 SYMBOL 3
 - CIRCUIT DIAGRAM, CATALOG LISTING AND DATE CODE ARE SHOWN ON NAMEPLATE
- WIRE LEADS COLOR CODED TO SHOW LEAD IDENTIFICATION
HARDWARE MAY BE PACKAGED UNASSEMBLED PER MIL-PRF-8805

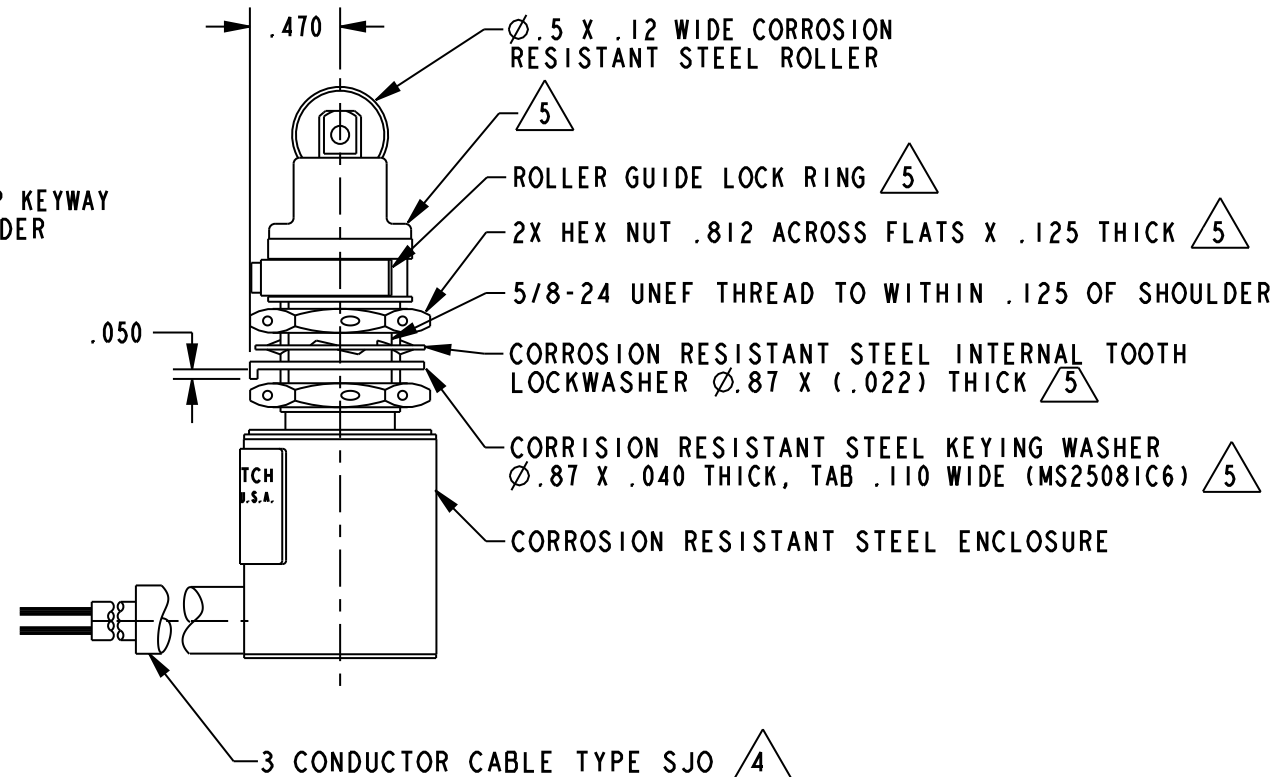
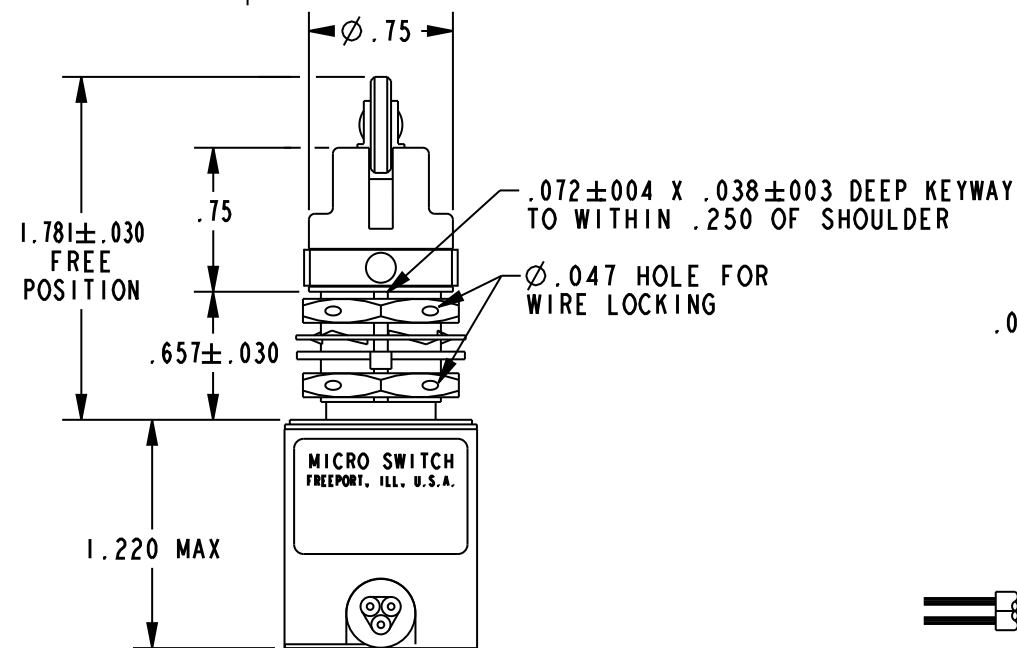
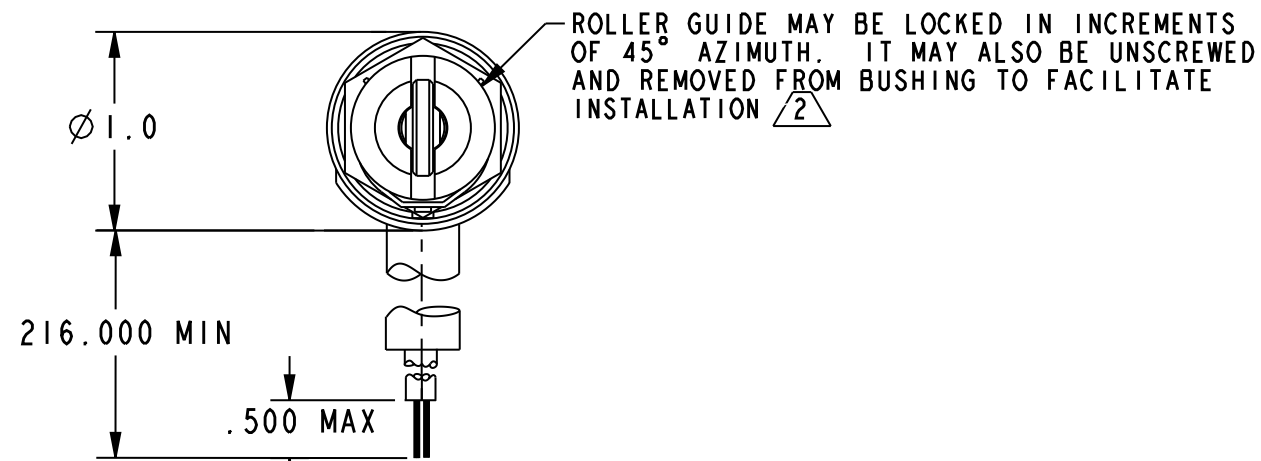
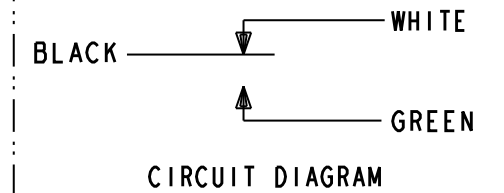
MICRO SWITCH
a Honeywell Division

FED. MFG. CODE 91929

SWITCH ENCLOSED

CATALOG LISTING

21CH38-18



CATALOG LISTING
21CH38-18
PAGE 1 OF 1
REPLACES
RELEASE NO. PR-20819
03APR09
CMH
CHECK
03APR09
CHECK
24NOV05
CHECK
24NOV05
CHECK
0040542
CHECK
19MAY00
DRAWN
G J W
19MAY00
CHECK
19MAY00
DRAWN
PTC/CAD 2D

REVISIONS

A	200428	G J W	MAY 00
B	0014322	JN7AP	JUL 05
C	0016449	KSR	27OCT05
D	0017206	AS	24NOV05
E	0040542	KVS	11JUN08
F	0050483	LK	03APR09

THIS DRAWING COVERS A PROPRIETARY ITEM AND IS THE PROPERTY OF MICRO SWITCH, A DIVISION OF HONEYWELL. THIS DRAWING IS NOT TO BE COPIED OR USED WITHOUT THE APPROVAL OF MICRO SWITCH

CHARACTERISTICS	
OPERATING FORCE	6-12 LB
FULL OVERTRAVEL FORCE	30 LB MAX
RELEASE FORCE	4 LB MIN
PRETRAVEL	.040 MAX
DIFFERENTIAL TRAVEL	.020 MAX
OVERTRAVEL	.250 MIN

ELECTRICAL DATA		
CONTACT ARRANGEMENT		
S P D T		
28 VDC		
LOAD	SEA LEVEL	50,000 FT
RES	4	4
IND	2	2
MOTOR	4	

THIRD ANGLE PROJECTION	
SCALE	1:1
DO NOT SCALE PRINT	
UNLESS OTHERWISE SPECIFIED TOLERANCES ARE	
ONE PLACE	(.0) ± .030
TWO PLACE	(.00) ± .015
THREE PLACE	(.000) ± .005
ANGLES	± -
WEIGHT	26.0 OZ MAX

- NOTES
- 1 - SWITCH SEALED PER MIL-PRF-8805 SYMBOL 3
 - $\triangle 2$ - TO ADJUST ROLLER DIRECTION, REMOVE ROLLER GUIDE LOCK RING, SCREW ROLLER GUIDE DOWN AS FAR AS POSSIBLE, THEN UNSCREW TO DESIRED DIRECTION. SECURE BY REPLACING ROLLER GUIDE LOCK RING
 - 3 - CIRCUIT DIAGRAM, CATALOG LISTING AND DATE CODE ARE SHOWN ON NAMEPLATE
 - $\triangle 4$ - LEAD WIRE COLOR CODES TO SHOW LEAD IDENTIFICATION
 - $\triangle 5$ - HARDWARE MAY BE PACKAGED UNASSEMBLED PER MIL-PRF-8805

ANSI Y14.5M-1982 APPLIES