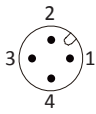


M30 LONG SENSING SERIES

ARTICLE PROPERTIES

SENSOR TYPE	Inductive sensor	CONNECTION TYPES (see table)
SIZE	M30x1.5	<ul style="list-style-type: none"> cable PVC, 0.34 mm², 2 m** M12 connector, A-coded
RATED OPERATING DISTANCE	see table	
NUMBER OF CONDUCTORS	2-wire / 3-wire / 4-wire (see table)	

** other cable lengths are available on request

MECHANICAL DATA

MOUNTING (mounting nuts included in delivery)	flush/non-flush (see table)
HOUSING	threaded cylindrical
MATERIAL HOUSING	brass nickel-plated
MATERIAL SENSING SURFACE	PBT
TIGHTENING TORQUE LOCKING	40 Nm
STANDARD TEST	FE360
ATTENUATION COEFFICIENT	St37 = 1, V2A = 0.7, Al = 0.3

ELECTRICAL DATA

OPERATING VOLTAGE	DC: 10 ... 30 V DC AC: 20 ... 250 V AC AC/DC: 20 ... 250 V AC/DC
RATED OPERATING CURRENT	2-wire DC: ≤ 100 mA 2-wire AC: ≤ 200 mA 3-wire: ≤ 200 mA 4-wire: ≤ 200 mA
SWITCHING FREQUENCY	see table
SWITCHING OUTPUT	see table
FUNCTION INDICATOR	yellow LED
HYSTERESIS	3 ... 15 %
TEMPERATURE DRIFT	±10 %
SHORT-CIRCUIT PROTECTION	yes
OVERLOAD RESISTANCE	yes
REVERSE POLARITY PROTECTION	yes

ENVIRONMENTAL CONDITIONS

PROTECTION CLASS	IP67	VIBRATION RESISTANCE (EN 60068-2-27)	55 Hz, 1 mm
AMBIENT TEMPERATURE	-25 ... 70 °C	SHOCK RESISTANCE (EN 60068-2-6)	30g/11 ms

STANDARDS AND DIRECTIVES

LOW-VOLTAGE SWITCHGEAR AND CONTROLGEAR	DIN EN IEC 60947-5-2:2021-04
---	------------------------------

APPROVALS



M30 LONG SENSING SERIES

DC 2-WIRE OUTPUT CABLE

Article number	Mounting	Rated operating distance Sn	Switching output (wiring diagram)	Switching frequency	Dimensions
Fi15-M30-OD6L	flush	15 mm	DC NO (WD1)	350 Hz	see Fig. 1
Fi15-M30-CD6L	flush	15 mm	DC NC (WD2)	350 Hz	see Fig. 1
Ni22-M30-OD6L	non-flush	22 mm	DC NO (WD1)	200 Hz	see Fig. 2
Ni22-M30-CD6L	non-flush	22 mm	DC NC (WD2)	200 Hz	see Fig. 2

DC 2-WIRE OUTPUT M12 CONNECTOR

Article number	Mounting	Rated operating distance Sn	Switching output (wiring diagram)	Switching frequency	Dimensions
Fi15-M30-OD6L-Q12	flush	15 mm	DC NO (WD1)	350 Hz	see Fig. 4
Fi15-M30-CD6L-Q12	flush	15 mm	DC NC (WD2)	350 Hz	see Fig. 4
Ni22-M30-OD6L-Q12	non-flush	22 mm	DC NO (WD1)	200 Hz	see Fig. 5
Ni22-M30-CD6L-Q12	non-flush	22 mm	DC NC (WD2)	200 Hz	see Fig. 5

AC 2-WIRE OUTPUT CABLE

Article number	Mounting	Rated operating distance Sn	Switching output (wiring diagram)	Switching frequency	Dimensions
Fi15-M30-OSA3L	flush	15 mm	AC NO (WD3)	40 Hz	see Fig. 1
Fi15-M30-CSA3L	flush	15 mm	AC NC (WD4)	40 Hz	see Fig. 1
Ni22-M30-OSA3L	non-flush	22 mm	AC NO (WD3)	40 Hz	see Fig. 3
Ni22-M30-CSA3L	non-flush	22 mm	AC NC (WD4)	40 Hz	see Fig. 3

AC 2-WIRE OUTPUT M12 CONNECTOR

Article number	Mounting	Rated operating distance Sn	Switching output (wiring diagram)	Switching frequency	Dimensions
Fi15-M30-OSA3L-Q12	flush	15 mm	AC NO (WD3)	40 Hz	see Fig. 4
Fi15-M30-CSA3L-Q12	flush	15 mm	AC NC (WD4)	40 Hz	see Fig. 4
Ni22-M30-OSA3L-Q12	non-flush	22 mm	AC NO (WD3)	40 Hz	see Fig. 6
Ni22-M30-CSA3L-Q12	non-flush	22 mm	AC NC (WD4)	40 Hz	see Fig. 6

M30 LONG SENSING SERIES

AC/DC 2-WIRE OUTPUT CABLE

Article number	Mounting	Rated operating distance Sn	Switching output (wiring diagram)	Switching frequency	Dimensions
Fi15-M30-OA41L	flush	15 mm	AC/DC NO (WD5)	20/350 Hz	see Fig. 1
Fi15-M30-CA41L	flush	15 mm	AC/DC NC (WD6)	20/350 Hz	see Fig. 1
Ni22-M30-OA41L	non-flush	22 mm	AC/DC NO (WD5)	20/350 Hz	see Fig. 3
Ni22-M30-CA41L	non-flush	22 mm	AC/DC NC (WD6)	20/350 Hz	see Fig. 3

DC 3-WIRE OUTPUT CABLE

Article number	Mounting	Rated operating distance Sn	Switching output (wiring diagram)	Switching frequency	Dimensions
Fi15-M30-OP6L	flush	15 mm	PNP NO (WD7)	350 Hz	see Fig. 1
Fi15-M30-ON6L	flush	15 mm	NPN NO (WD8)	350 Hz	see Fig. 1
Fi15-M30-CP6L	flush	15 mm	PNP NC (WD9)	350 Hz	see Fig. 1
Fi15-M30-CN6L	flush	15 mm	NPN NC (WD10)	350 Hz	see Fig. 1
Ni22-M30-OP6L	non-flush	22 mm	PNP NO (WD7)	200 Hz	see Fig. 3
Ni22-M30-ON6L	non-flush	22 mm	NPN NO (WD8)	200 Hz	see Fig. 3
Ni22-M30-CP6L	non-flush	22 mm	PNP NC (WD9)	200 Hz	see Fig. 3
Ni22-M30-CN6L	non-flush	22 mm	NPN NC (WD10)	200 Hz	see Fig. 3

DC 3-WIRE OUTPUT M12 CONNECTOR

Article number	Mounting	Rated operating distance Sn	Switching output (wiring diagram)	Switching frequency	Dimensions
Fi15-M30-OP6L-Q12	flush	15 mm	PNP NO (WD7)	350 Hz	see Fig. 4
Fi15-M30-ON6L-Q12	flush	15 mm	NPN NO (WD8)	350 Hz	see Fig. 4
Fi15-M30-CP6L-Q12	flush	15 mm	PNP NC (WD9)	350 Hz	see Fig. 4
Fi15-M30-CN6L-Q12	flush	15 mm	NPN NC (WD10)	350 Hz	see Fig. 4
Ni22-M30-OP6L-Q12	non-flush	22 mm	PNP NO (WD7)	200 Hz	see Fig. 6
Ni22-M30-ON6L-Q12	non-flush	22 mm	NPN NO (WD8)	200 Hz	see Fig. 6
Ni22-M30-CP6L-Q12	non-flush	22 mm	PNP NC (WD9)	200 Hz	see Fig. 6
Ni22-M30-CN6L-Q12	non-flush	22 mm	NPN NC (WD10)	200 Hz	see Fig. 6

DC 4-WIRE OUTPUT CABLE

Article number	Mounting	Rated operating distance Sn	Switching output (wiring diagram)	Switching frequency	Dimensions
Fi15-M30-BP6L	flush	15 mm	PNP NO+NC (WD11)	350 Hz	see Fig. 1
Fi15-M30-BN6L	flush	15 mm	NPN NO+NC (WD12)	350 Hz	see Fig. 1
Ni22-M30-BP6L	non-flush	22 mm	PNP NO+NC (WD11)	200 Hz	see Fig. 3
Ni22-M30-BN6L	non-flush	22 mm	NPN NO+NC (WD12)	200 Hz	see Fig. 3

M30 LONG SENSING SERIES

DC 4-WIRE OUTPUT M12 CONNECTOR

Article number	Mounting	Rated operating distance Sn	Switching output (wiring diagram)	Switching frequency	Dimensions
Fi15-M30-BP6L-Q12	flush	15 mm	PNP NO+NC (WD11)	350 Hz	<i>see Fig. 4</i>
Fi15-M30-BN6L-Q12	flush	15 mm	NPN NO+NC (WD12)	350 Hz	<i>see Fig. 4</i>
Ni22-M30-BP6L-Q12	non-flush	22 mm	PNP NO+NC (WD11)	200 Hz	<i>see Fig. 6</i>
Ni22-M30-BN6L-Q12	non-flush	22 mm	NPN NO+NC (WD12)	200 Hz	<i>see Fig. 6</i>

M30 LONG SENSING SERIES

DIMENSIONS

Fig. 1 Inductive sensor with cable (flush)

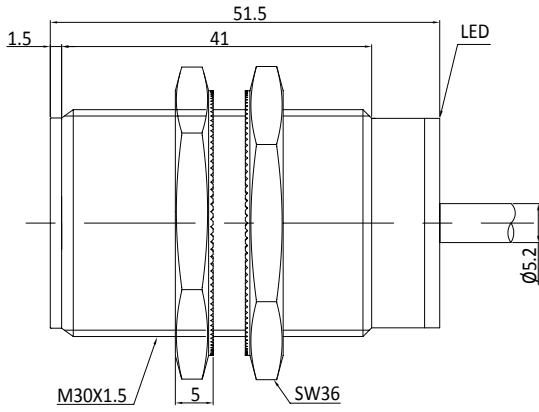


Fig. 2 Inductive sensor with cable (non-flush)

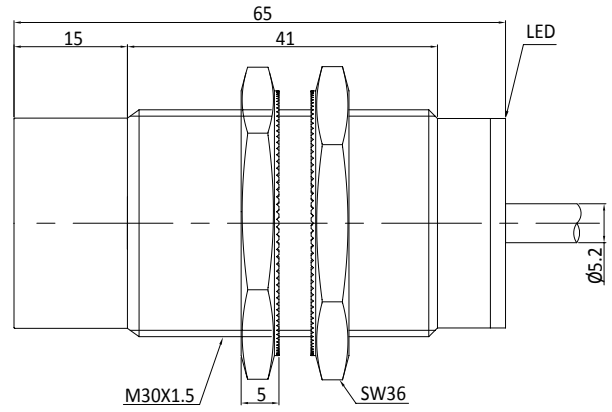


Fig. 3 Inductive sensor with cable (non-flush)

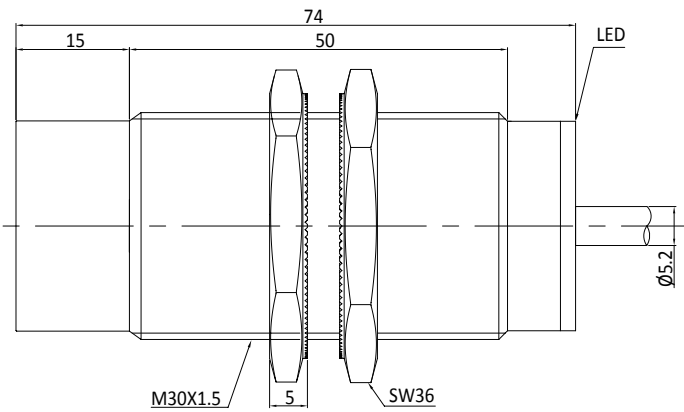


Fig. 4 Inductive sensor with M12 connector (flush)

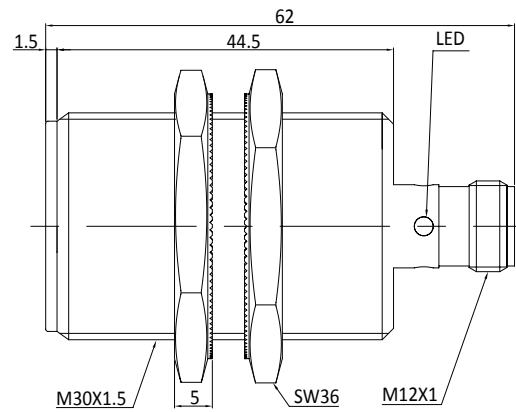


Fig. 5 Inductive sensor with M12 connector (non-flush)

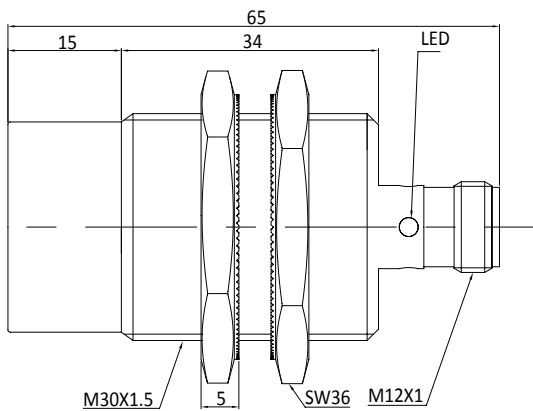
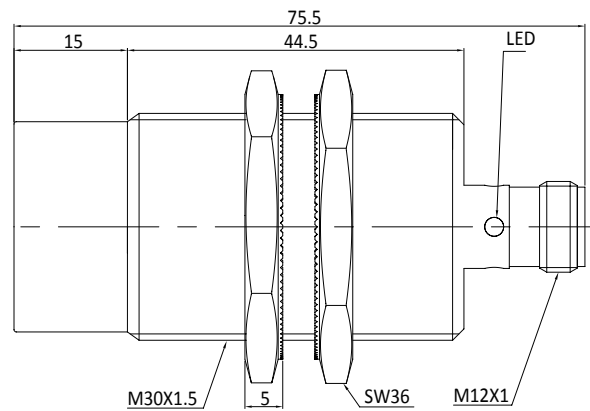


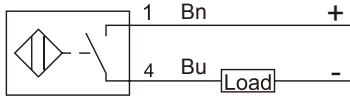
Fig. 6 Inductive sensor with M12 connector (non-flush)



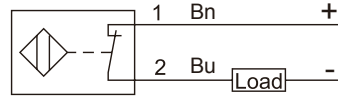
M30 LONG SENSING SERIES

WIRING DIAGRAMS (Note: 1 / 2 / 3 / 4 connector and terminals pin number Bn / Bu / Wh / Bk cable color)

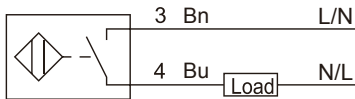
WD1 DC 2-wire NO



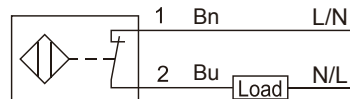
WD2 DC 2-wire NC



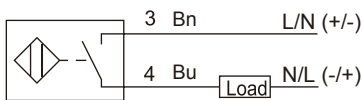
WD3 AC 2-wire NO



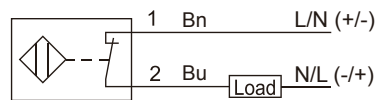
WD4 AC 2-wire NC



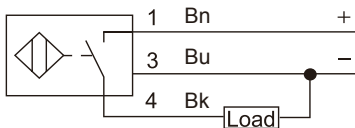
WD5 AC / DC 2-wire NO



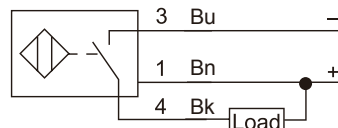
WD6 AC / DC 2-wire NC



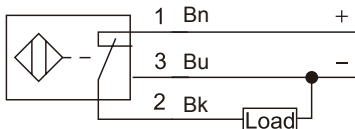
WD7 DC 3-wire PNP NO



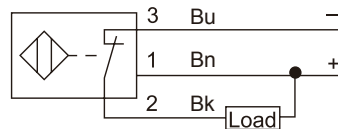
WD8 DC 3-wire NPN NO



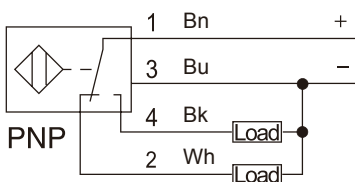
WD9 DC 3-wire PNP NC



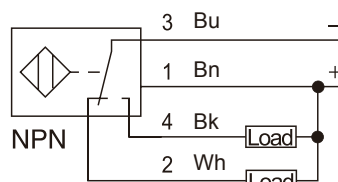
WD10 DC 3-wire NPN NC



WD11 DC 4-wire PNP NO + NC



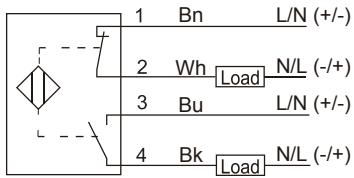
WD12 DC 4-wire NPN NO + NC



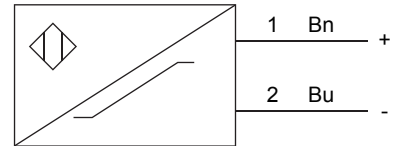
M30 LONG SENSING SERIES

WIRING DIAGRAMS (Note: 1 / 2 / 3 / 4 connector and terminals pin number Bn / Bu / Wh / Bk cable color)

WD13 AC/DC 4-wire NO+NC



WD14 NAMUR 2-wire NC



WD15 DC 4-wire 0-10V+0-20mA

