

HONEYWELL

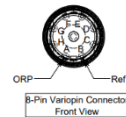
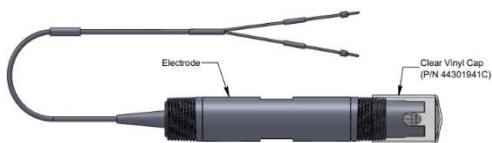
pHG Combination Glass pH and ORP Electrodes Technical Specifications

Overview

The pHG electrodes offer a reliable combination of measuring and reference electrodes together with an integral ATC (Automatic Temperature Compensator) in a single corrosion-resistant assembly. Quick disconnect plugs enable easier installation and maintenance than with other electrodes available.

The large surface area of the reference junction resists fouling and maintains low impedance contact with the process solution. The reference junction's shape surrounding the measuring element minimizes the effects of electrical current passing through the process solution, offering improved performance compared to other designs that can develop a large offset potential and prohibit pH measurements in applications such as electroplating tanks or electrolytic cells.

The pHG electrodes offer glass compositions that provide low sodium error as well as optimum durability at operating temperatures, assuring long-term accuracy. The ATC (Automatic Temperature Compensator) is compatible with both analog and microprocessor-based instruments.



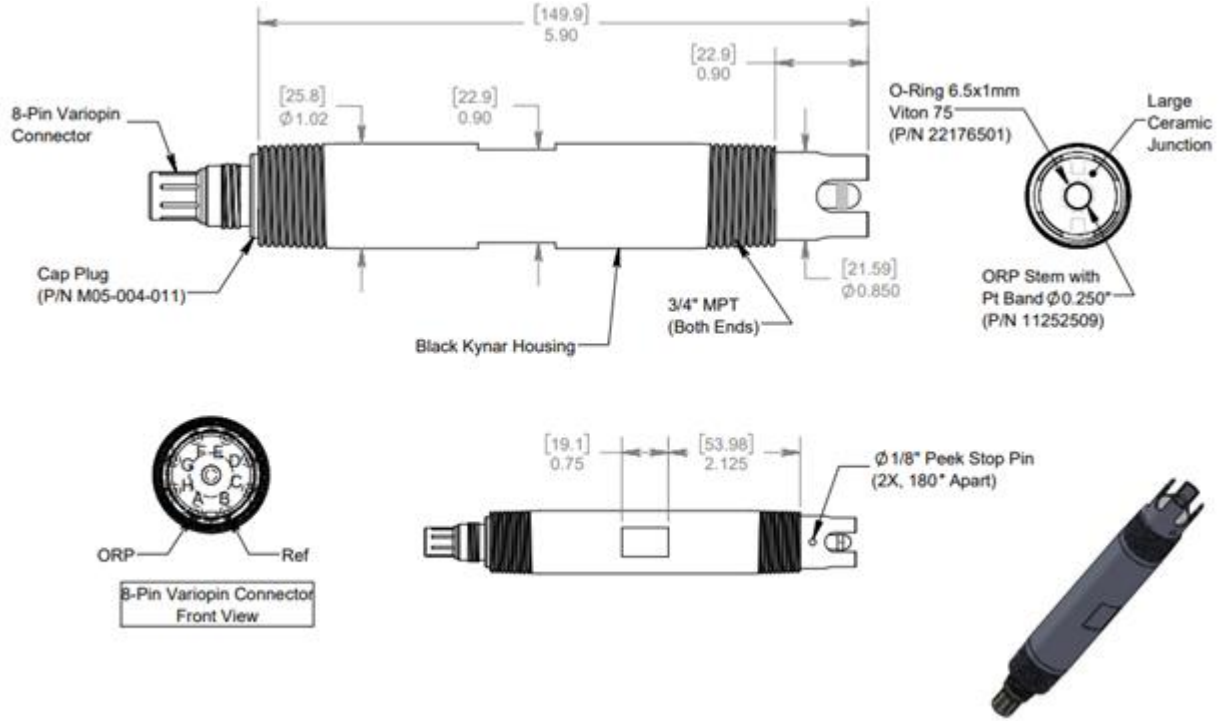
Key Features

- Glass pH electrodes.
- ATC (Automatic Temperature Compensator) standard with pH.
- ORP electrodes with Gold or Platinum sensors.
- Extended pressure range – up to 150 psi rating.
- Grounded sensor allows use with 50 ft cable without pre-Amp.
- Design allows for either inline or immersion mounting.

Specifications

ELECTRODE	
Pressure and Temperature Rating	Maximum 150 psi (1000 kPa) and 212°F (100°C)
Operating Range	0 -14 pH
Mounting	¾" MNPT suitable for either inline or immersion mounting.
Materials	pH: Kynar, glass, EPM, ceramic ORP: Kynar, gold or platinum, epoxy, EPM, ceramic

	ATC: 8550 thermistor or 1000 Ohm RTD
Dimensions	150 mm long x 21.6 mm dia. (5.9" x 0.85")
Weight	Approximately 0.23 kg (0.5 lb)



For more information

To learn more about Honeywell's products, visit www.process.honeywell.com or contact your Honeywell account manager.

Honeywell Process Solutions

Honeywell Automation India Ltd.
56,57, Hadapsar Industrial Estate
Pune - 411013, India
www.process.honeywell.com